



- Highly precise
- Low dead volume
- Disposable nozzles
- USP class VI compliant

## NON-CONTACT LIQUID HANDLING FOR OEM APPLICATIONS

The PipeJet technology enables the contact-free dosage of small amounts of liquids in the range from a few nanoliters up to some microliters. Key element of the technology is an elastic pipe with a well-defined inner diameter that is squeezed with high dynamics by a piezo stack actuator. By this displacement the liquid is driven out through the end of the pipe as a free jet. The dispensed volume is independent of the viscosity or the surface tension over a wide range.



### APPLICATIONS

Aliquoting & distributing precious samples (Enzymes, Proteins etc.)

Dispensing of cells  
Dispensing of aggressive media which degrades tubing and valves of conventional system

Aspiration from and pipetting into 1536 well-MTP

### MATERIALS

#### All liquid contaminated materials:

- are low cost disposables
- can be sterilized
- are USP class VI compliant

Customized materials and dispenser modules are possible



**BioFluidix GmbH**  
Engesserstr. 4a · 79108 Freiburg  
Fon: +49 761 458938 - 0 · Fax: +49 761 458938 - 99  
info@biofluidix.com · www.biofluidix.com



## PIPEJET P9 NANODISPENSER

The PipeJet P9 module is the most versatile out of the PipeJet product family. It is suited for applications in the scientific environment as well as in production lines for medical devices or pharmaceutical industry.

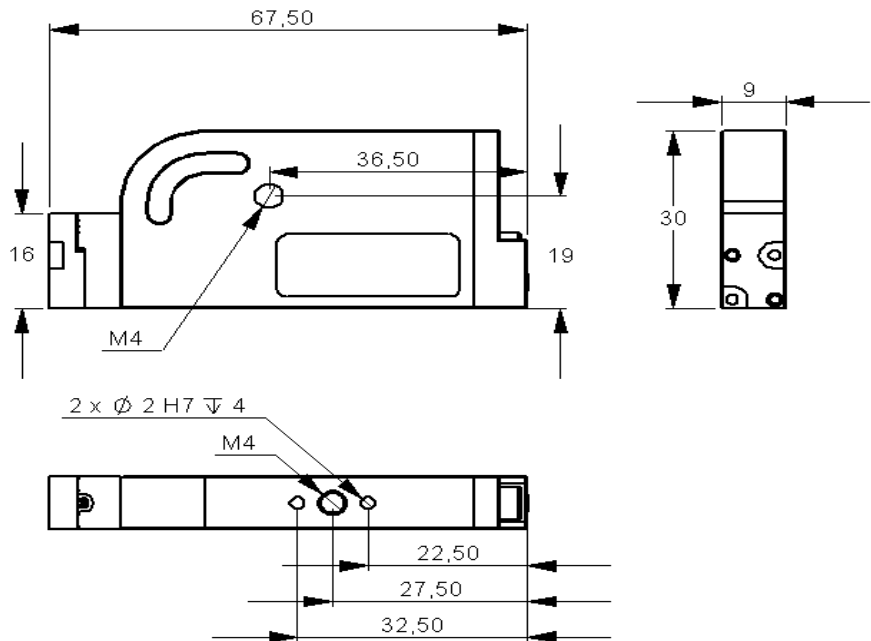
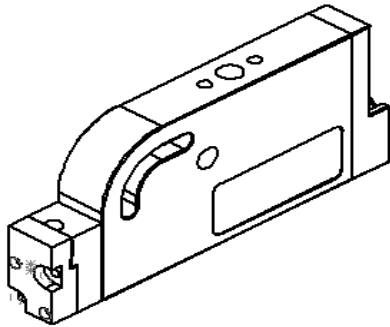
Long lifetimes, short down times and reproducible dispensing performance make the PipeJet a perfect choice for your application.

### SPECIFICATIONS

Module type	P9 Tip	P 9 Pipe
Volume range	10–60 nl	5–60 nl
Max. frequency	100 Hz*	100 Hz*
Viscosity range	1–200 mPas*	0.5–500 mPas*
Surface tension	30 mN/m– 76 mN/m*	30 mN/m– 76 mN/m*
Precision / Accuracy	< 3 % / < 10 %	< 3 % / < 10 %
Pipe compatibility	PipeJet Tip	All types
Usage profile	Medium to high duty cycles	Medium to high duty cycles

\* Depending on the liquid used

### TECHNICAL DRAWING



Pipe Guides for Dispensing Pipes and Tips

